



Microwave antenna UNI3-15

Antenna description

High Performance \varnothing 0.90 m antenna for ALCOMA point to point radiorelay links with holder for precise horizontal and vertical alignment.

General parameters

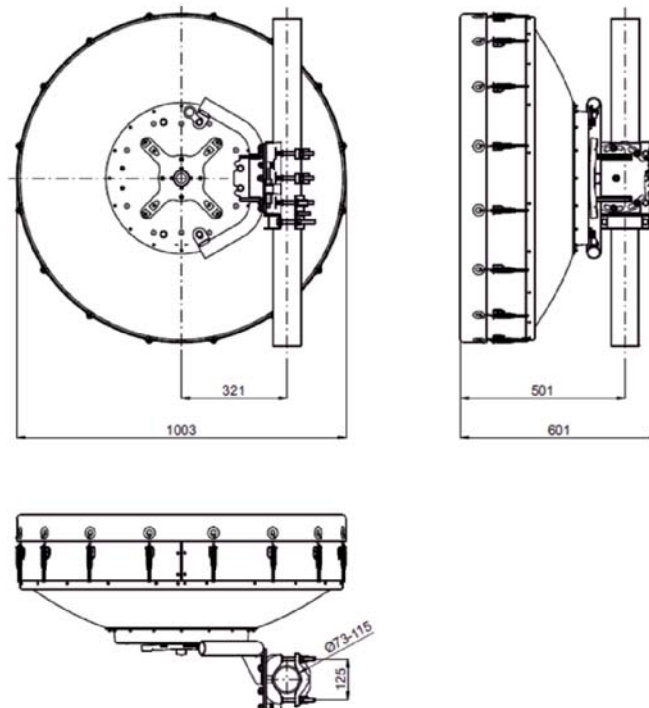
Diameter	0.90 m (3 ft.)
Feeder	single polarized (dual polarized)
Polarization	horizontal / vertical (dual)
Input flange: - standard - optional	circular, hole diameter 14.30 mm R140 (WR62)
Environmental temperature	-35 °C to +55 °C
Color	light grey
Radom material	white plastic canvas

Electrical parameters

Frequency band	14.200 - 15.350 GHz
Gain: - low band - mid band - high band	39.7 dBi 40.0 dBi 40.4 dBi
Beamwidth (-3 dB)	1.6° (H / V)
Return loss	< 1.20 (20.0 dB)
Front to Back Ratio	61 dB
Cross Polarization Discrimination	32 dB
Antenna class	2 (ETSI EN 302 217-4-2)



UNI3-15



ALCOMA



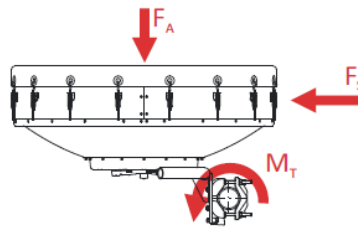
Microwave antenna UNI3-15

Mechanical parameters due to wind

UNI3-15

Performance stability	max 30 m/s (110 km/h)
Survival	max 55 m/s (200 km/h)
Radial ice load (density 7kN/m ³)	25 mm
Net weight (interface A/R)	26.0 kg
Pipe diameter*	73 - 115 mm
Adjust azimuth / elevation	±180° / —
Fine adjust azimuth	±7°
Fine adjust elevation	±15°

Force and twisting moment due to wind



Wind velocity	30 m/s	55 m/s
F_A - axial force	500 N	1850 N
F_S - side force	180 N	570 N
M_T - twisting moment	200 Nm	640 Nm
Icing thickness 25 mm	430 N	