



# Microwave antenna UNI2-80

## Antenna description

High Performance  $\varnothing$  0.65 m antenna for ALCOMA point to point radiorelay links with standard holder or AFM holder for precise alignment.

## General parameters

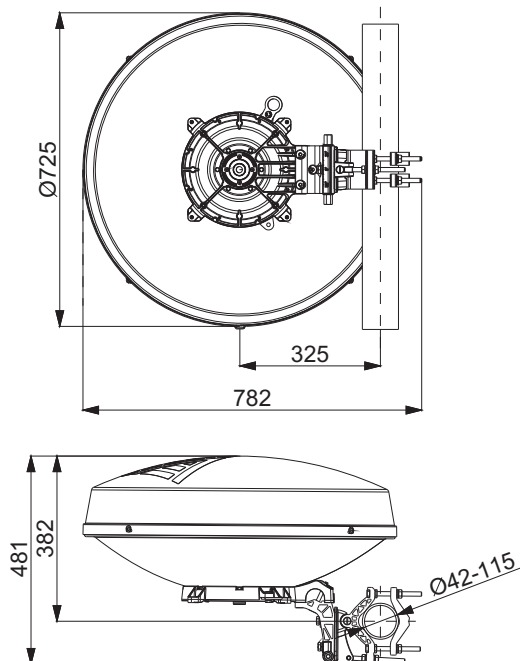
Diameter	0.65 m (2 ft.)
Feeder	single polarized (dual polarized)
Polarization	horizontal / vertical (dual)
Input flange: - standard	circular, hole diameter 3.20 mm
- optional	R740 (WR12)
Environmental temperature	-35 °C to +55 °C
Color	light grey
Radom material	white plastic (ABS + PMMA)



## Electrical parameters

Frequency band	71.000 - 86.000 GHz
Gain: - low band	50.2 dBi
- mid band	50.8 dBi
- high band	51.3 dBi
Beamwidth (-3 dB)	0.5° (H / V)
Return loss	< 1.50 (14.0 dB)
Front to Back Ratio	65 dB
Cross Polarization Discrimination	25 dB
Antenna class	2 or 3 (ETSI EN 302 217-4-2)

## UNI2-80-AF



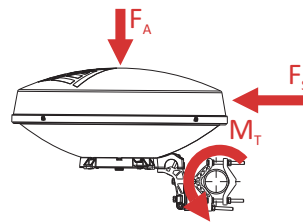


# Microwave antenna UNI2-80

## Mechanical parameters due to wind UNI2-80-AF

Performance stability	max 30 m/s (110 km/h)
Survival	max 55 m/s (200 km/h)
Radial ice load (density 7kN/m <sup>3</sup> )	25 mm
Net weight	9.1 kg
Pipe diameter*	42 - 115 mm
Adjust azimuth / elevation	
Fine adjust azimuth	±15°
Fine adjust elevation	±30°

## Force and twisting moment due to wind



Wind velocity	30 m/s	55 m/s
$F_A$ - axial force	335 N	1090 N
$F_S$ - side force	115 N	365 N
$M_T$ - twisting moment	110 Nm	350 Nm
Ice thickness 25 mm		

\* diameter 42 - 48 mm can be used when the wind speed does not exceed 50 m/s (180 km/h)