



# Microwave antenna UNI2-7

## Antenna description

High Performance  $\varnothing$  0.65 m antenna for ALCOMA point to point radiorelay links with standard holder or AFM holder for precise alignment.

## General parameters

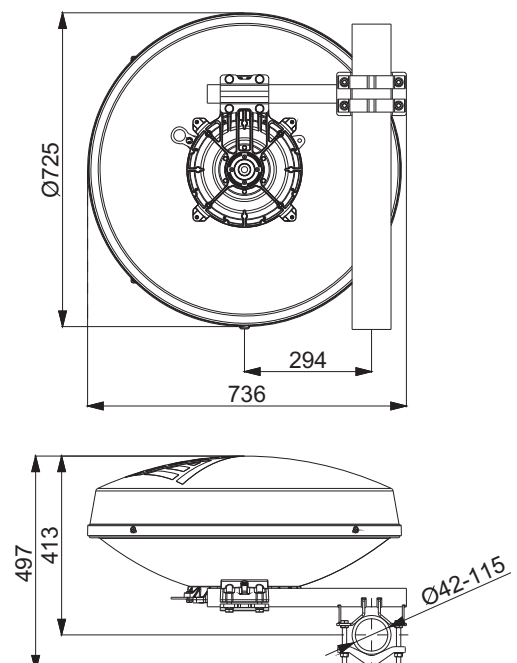
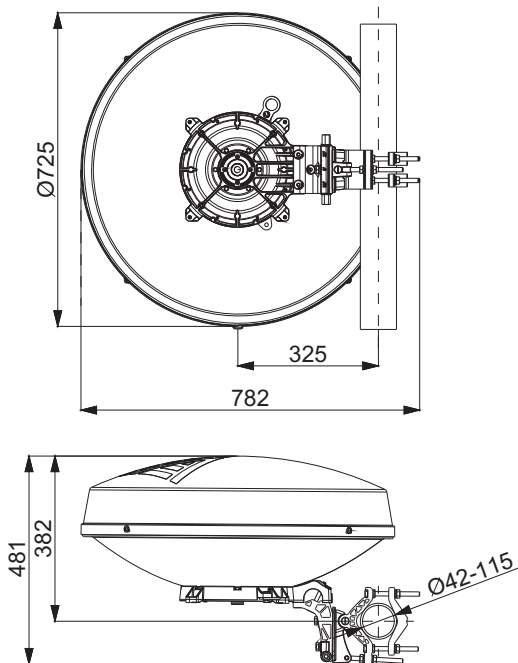
Diameter	0.65 m (2 ft.)
Feeder	single polarized (dual polarized)
Polarization	horizontal / vertical (dual)
Input flange: - standard	circular, hole diameter 26.06 mm
- optional	R84 (WR112)
Environmental temperature	-35 °C to +55 °C
Color	light grey
Radom material	white plastic (ABS + PMMA)



## Electrical parameters

Frequency band	7.100 - 8.500 GHz
Gain: - low band	30.7 dBi
- mid band	31.5 dBi
- high band	32.2 dBi
Beamwidth (-3 dB)	4.6° (H / V)
Return loss	< 1.30 (17.7 dB)
Front to Back Ratio	51.6 dB
Cross Polarization Discrimination	27.0 dB
Antenna class	2 (ETSI EN 302 217-4-2)

## UNI2-7-AF UNI2-7-AS





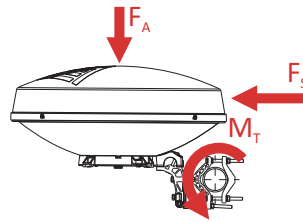
# Microwave antenna UNI2-7

## Mechanical parameters due to wind UNI2-7-AF

## UNI2-7-AS

Performance stability	max 30 m/s (110 km/h)	max 30 m/s (110 km/h)
Survival	max 55 m/s (200 km/h)	max 55 m/s (200 km/h)
Radial ice load (density 7kN/m <sup>3</sup> )	25 mm	25 mm
Net weight	9.2 kg	9.3 kg
Pipe diameter*	42 - 115 mm	42 - 115 mm
Adjust azimuth / elevation		±180° / ±20°
Fine adjust azimuth	±15°	—
Fine adjust elevation	±30°	—

## Force and twisting moment due to wind



Wind velocity	30 m/s	55 m/s	30 m/s	55 m/s
<b>F<sub>A</sub></b> - axial force	335 N	1090 N	335 N	1090 N
<b>F<sub>S</sub></b> - side force	115 N	365 N	115 N	365 N
<b>M<sub>T</sub></b> - twisting moment	110 Nm	350 Nm	90 Nm	290 Nm
Icing thickness 25 mm				

\* diameter 42 - 48 mm can be used when the wind speed does not exceed 50 m/s (180 km/h)