



Microwave antenna UNI2-17

Antenna description

High Performance \varnothing 0.65 m antenna for ALCOMA point to point radiorelay links with standard holder or AFM holder for precise alignment.

General parameters

| | |
|---------------------------|-----------------------------------|
| Diameter | 0.65 m (2 ft.) |
| Feeder | single polarized (dual polarized) |
| Polarization | horizontal / vertical (dual) |
| Input flange: - standard | circular, hole diameter 10.99 mm |
| Environmental temperature | -35 °C to +55 °C |
| Color | light grey |
| Radom material | white plastic (ABS + PMMA) |

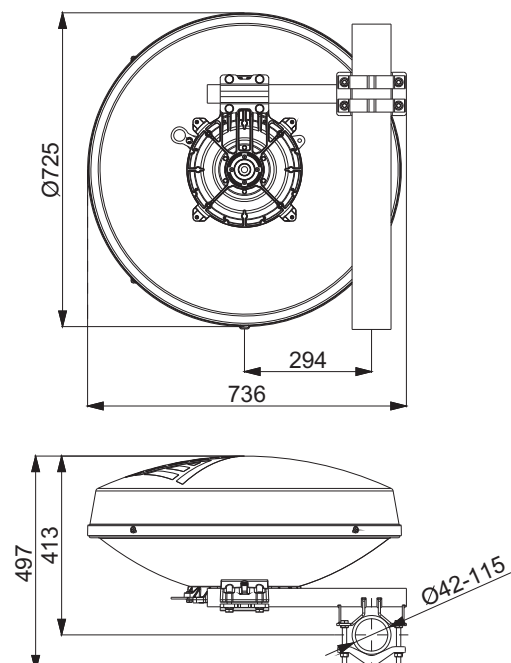
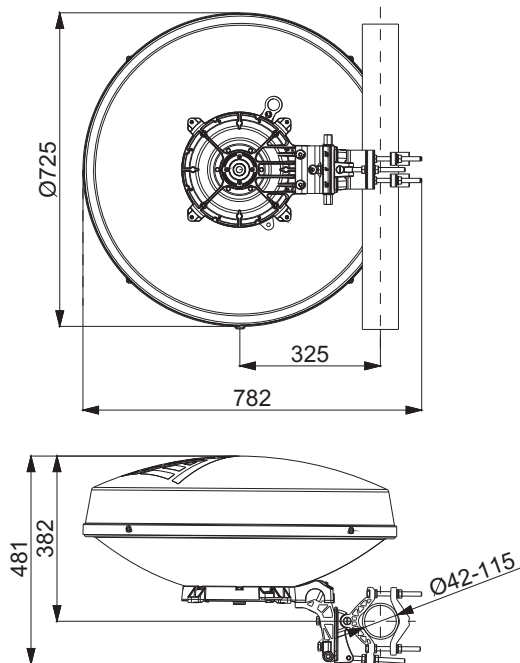


Electrical parameters

| | |
|-----------------------------------|------------------------------|
| Frequency band | 17.100 - 17.300 GHz |
| Gain: | 37.9 dBi |
| Beamwidth (-3 dB) | 2.1° (H / V) |
| Return loss | < 1.30 (17.7 dB) |
| Front to Back Ratio | > 30 dB |
| Cross Polarization Discrimination | > 47 dB |
| Antenna class | 2 or 3 (ETSI EN 302 217-4-2) |

UNI2-17-AF

UNI2-17-AS



ALCOMA



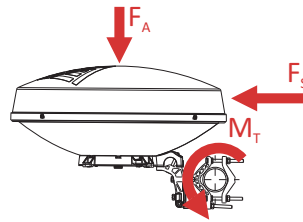
Microwave antenna UNI2-17

Mechanical parameters due to wind UNI2-17-AF

UNI2-17-AS

| | | |
|---|-----------------------|-----------------------|
| Performance stability | max 30 m/s (110 km/h) | max 30 m/s (110 km/h) |
| Survival | max 55 m/s (200 km/h) | max 55 m/s (200 km/h) |
| Radial ice load (density 7kN/m ³) | 25 mm | 25 mm |
| Net weight | 8.9 kg | 9.1 kg |
| Pipe diameter* | 42 - 115 mm | 42 - 115 mm |
| Adjust azimuth / elevation | | ±180° / ±20° |
| Fine adjust azimuth | ±15° | — |
| Fine adjust elevation | ±30° | — |

Force and twisting moment due to wind



| Wind velocity | 30 m/s | 55 m/s | 30 m/s | 55 m/s |
|--|--------|--------|--------|--------|
| F_A - axial force | 335 N | 1090 N | 335 N | 1090 N |
| F_S - side force | 115 N | 365 N | 115 N | 365 N |
| M_T - twisting moment | 110 Nm | 350 Nm | 90 Nm | 290 Nm |
| Icing thickness 25 mm | | | | |

* diameter 42 - 48 mm can be used when the wind speed does not exceed 50 m/s (180 km/h)